

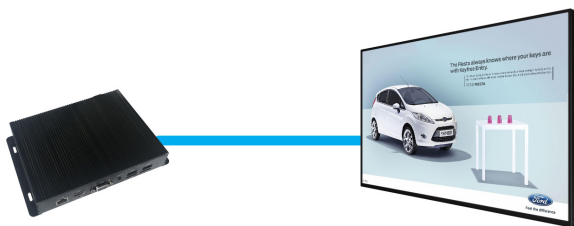
Standalone Android Media Players



Transform existing screens into digital signage with our powerful standalone player with scheduling software

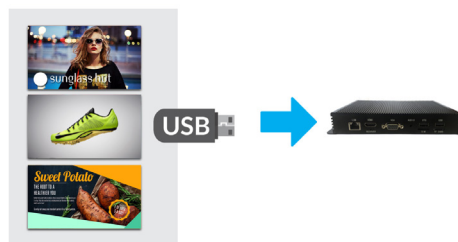
Convert Existing Displays

For applications where there is already a display in place, these players are ideal for transforming them into USB updatable displays.



Plug and Play

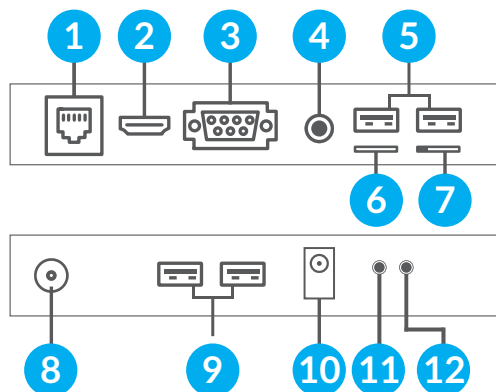
Plug and Play is the most straightforward update method. Simply load images and videos on a USB stick, insert in the player, wait for your content to copy over and then remove. Your images and videos will now play in a continuous loop.



Multiple Outputs

Connect the media player to your existing screen via HDMI or VGA and 3.5mm audio jack depending on your display's inputs.

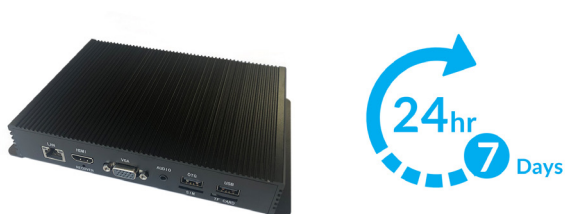
- | | | |
|-----------|--------------|-----------------|
| 1 LAN * | 6 Sim Card * | 11 IR |
| 2 HDMI | 7 TF Card | 12 IR Extension |
| 3 VGA | 8 Wi-Fi * | |
| 4 Audio | 9 USB x 2 | |
| 5 USB x 2 | 10 DC 12V | |



*Network upgrade required

24/7 Commercial Use

Commercially graded high quality components are used in the design of the media player to ensure that it can be in constant use 24/7. Unlike domestic players, or DVD players, this unit is purpose built to run constantly and is extremely robust.



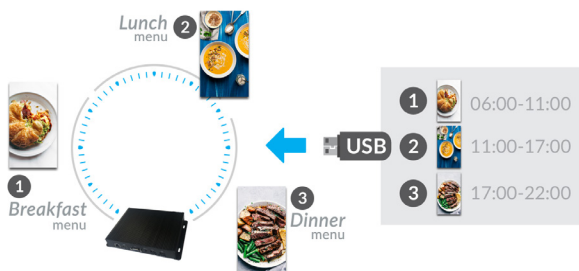
Android Media Player

Thanks to their Android operating system, these players are more easily updateable and faster than ever before. They can also be upgraded to the network version so that you can update content over the internet.



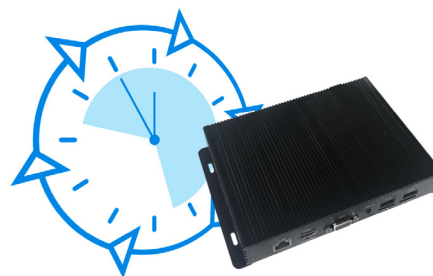
Free Scheduling Software

For more advanced use you can take advantage of the free scheduling software, allowing you to display different content at certain times of the day. You can also add scrolling text and set image duration and transition effects.



Power Timer

The eco-friendly power timer allows you to assign daily or weekly on and off times for your media player. The ability to power on and off automatically means that the media player is only in use when it needs to be; improving your environmental efficiency.



		Standalone Android Media Player
AV Outputs	Video	HDMI, VGA
	Audio	Stereo Analog Audio Socket (3.5mm)
Power	Power Consumption (W)	<5
	Input Voltage	AC110~240V (50Hz~60Hz)
Mechanical	Unit Size (WxHxD mm)	197x129x31
	Package Size (WxHxD mm)	260x160x105
	Net Weight (kg)	1.35
	Gross Weight (kg)	1.65
Environmental	Operating Temperature	0 °C to 50 °C
	Storage Temperature	-30°C to 60°C
	Operating Humidity	10% to 80%
	Storage Humidity	5% to 95%
Computer	Media Formats	Video (MPG, AVI, MP4, RM, RMVB, TS), Audio (MP3, WMA), Image (JPG, GIF, BMP, PNG)
	Media Resolution	1920x1080/1080x1920
	Internal Memory	6GB
	CPU	Quad-Core Cortex-A17@1.61GHz
	GPU	Mali-T760 MP4 @600MHz
	RAM	2GB DDR3
	Internal Storage	8GB NAND
	USB	USB2.0 HOST (x2)
	LAN	10/100M Ethernet
	Wi-Fi	802.11b/g/n/ac
	OS	Android 5.1.1
Accessories	Graphic Engine	OpenGL ES 1.1/2.0/3.0/3.1, OpenCL 1.1, Renderscript, Direct3D 11.1
	Included	HDMI Cable, Scheduling Software, Remote Control, User Manual
Warranty	Warranty Period	3 Year Warranty
	Technical Support	Lifetime

Errors and omissions excepted